



AVU50PANEL



Wine Cellar service
Panelable door
Built-under counter

GENERAL INFORMATION

Number of bottles : 47
Number of zones : 2
Adjustable temperature range : 5-20°C
Noise level : 37dB
Energy class : F
Climate class : SN/ST (10-38)
Vinotag compatible : Yes
Wifi connection : yes

Product description

This under-counter built-in wine cellar with **panelable door**, featuring a **push-pull opening** mechanism, **removable ventilation grille**, and rear **plumbing access**, is designed to simplify your installation and showcase your bottles.

From a design perspective, the **adjustable lighting** offers a truly customizable experience: choose from three refined tones (warm white, cool white, and amber) to highlight your bottles, and adjust the light intensity to 25%, 50%, 75%, or 100%, depending on the desired ambiance.

Additionally, **telescopic rail** shelves provide smooth and secure access, and **smart connectivity** allows you to remotely control the temperature, lighting, and alarms.

This is far more than just a wine cellar: it is the perfect combination of technology, comfort, and sophistication, ensuring your wines are stored and displayed to meet your highest standards.



REMOTE CONTROL

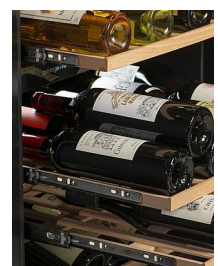
Thanks to a wifi connection manage remotely temperature and lighting

ELECTRONIC PUSH PULL

Easy to open without a handle.
Door reversible upon installation

PANTOGRAPH HINGE

High-quality hinge for smooth opening and closing



TELESCOPIC RAILS

This model is equipped with shelves on telescopic rails

AVU50PANEL

EAN-13 - 3595320108057

Capacity and Temperature

- **Number of bottles: 47**
 - Upper zone : 22
 - Lower zone : 25
- **Adjustable temperature: 5-20°C**
 - Upper zone : 5-12°C
 - Lower zone : 12-20°C

Door

Door glass color : Grey
Number of glass layers : 3
Anti-UV : Yes
Tempered glass : Yes
Lock : No
Reversible door : No
Handle type : Electronic Push-pull opening
Pentograph hinge : Yes
Self-closing door : Yes

Security

Alarm : Door, Temperature

Logistic

Net dimensions (WxDxH): 59.5 x 57.0 x 81.7
Gross dimensions (WxDxH): 65.0 x 61.0 x 85.0
Net weight (kg) : 42.0
Gross weight (kg) : 46.0

Technical Data

Energy class : F
Annual energy (KWh/a) : 103
Climate class : SN/ST (10-38)
Noise level : 37dB / C
Energy Efficiency Index : 122 %
Power input : 80.00 W
Voltage : 220-240 V
Length of power cable : 180 cm
Plug Type : E type
Type of gas : R600a
Gas charge : 35 g
Mainly recyclable product : Yes
Type of compressor : Standard
Main cooling system : Air moving system
Anti-vibration system : Yes
Adjustable feet : 4 / 7 cm

Light

Light source : LED
Dimmable light : yes
Light switch : yes

Qtty per 20' : 0
Qtty per 40' : 0
Qtty per 40 HC : 170
Customs code: 84185090

AVU50PANEL

EAN-13 - 3595320108057

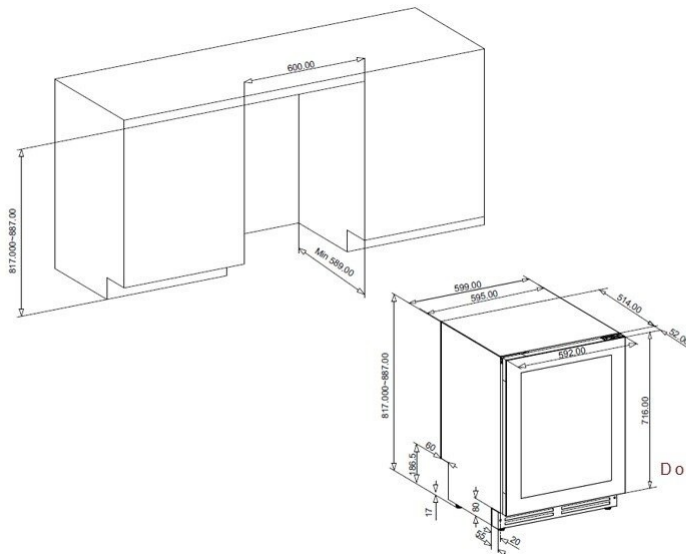


Schéma de montage
Door and furniture installation diagram

Accessories

- 4 multiposition shelves, wooden, sliding, rails

Built-in information

Built-in dimensions (WxDxH) : 60.00 x 55.50 x 81.70

Plumbing passage : Yes

Recessed plinth : Yes / 2.00

Plinth height : 8.00

Removable plinth : Yes / 5.50

Warning installation : This product is equipped with a front ventilation system. Follow the installation instructions to ensure proper operation of the unit.

